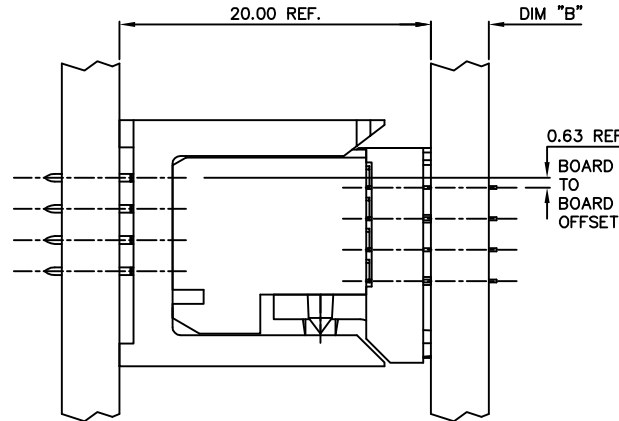
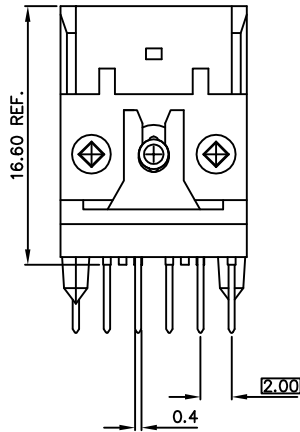
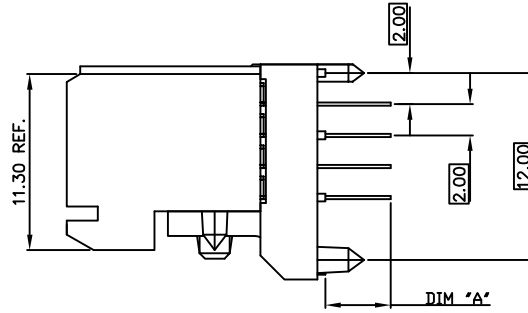
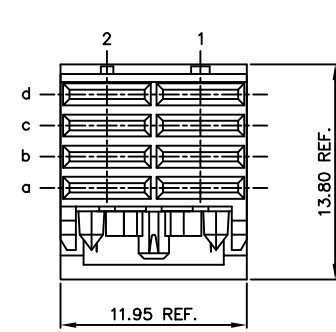


Tous droits strictement réservés. Reproduction ou communication à des tiers interdite sous quelque forme que ce soit sans autorisation écrite du propriétaire. Propriété de c FCI. Droits de reproduction FCI.



All rights strictly reserved. Reproduction or issue to third parties in any form whatever is not permitted without written authority from the proprietor. Property of FCI. Copyright FCI.

PRODUCT NUMBER
93239-X1Y
93239-X1YLF



PRODUCT NR:	PLATING CONTACT AREA:	UNDERPLATING
93239-1YYY	0.8 μm GOLD	1.3 μm Ni MIN.
93239-2YYY	2 μm GOLD	1.3 μm Ni MIN.
93239-3YYY	1.3 μm GOLD	1.3 μm Ni MIN.
93239-9YYY	0.8 μm GXT	1.3 μm Ni MIN.
93239-1YYLF	0.8 μm GOLD	1.3 μm Ni MIN.
93239-2YYLF	2 μm GOLD	1.3 μm Ni MIN.
93239-3YYLF	1.3 μm GOLD	1.3 μm Ni MIN.
93239-9YYLF	0.8 μm GXT	1.3 μm Ni MIN.

mat'l. code				tolerances unless otherwise specified		CUSTOMER COPY	FCI	
ltr	ecn no	dr	date	linear	.X ±.3	projection	www.fciconnect.com	
A	V40362	SCS	2/8/94		.XX ±.10		title	
B	V41525	SCS	10/17/94		.XXX ±.050		VERT. PWR. RECEPT. ASS'Y	
C	V81310	MDF	9/1/98	angles	0° ±2'		4 X 2	
D	V01598	JWS	7/12/00	dr	STU STONER 2/10/94		product family METRAL (tm)	
F	V03-0723	LP	8/25/03	enr	R.DOUTRICH 2/10/94	MM	code	
G	V05-1101	JRV	12/5/05	chr	STU STONER 2/10/94	scale	size dwg no	
H	DC08-0171	TER	9/3/08	appd	STU STONER 2/10/94	1:1	A	93239
sheet index	revision sheet	H	H					
		1	2					

cage code 22526

ACAD

PDM: Rev:H

STATUS: Released

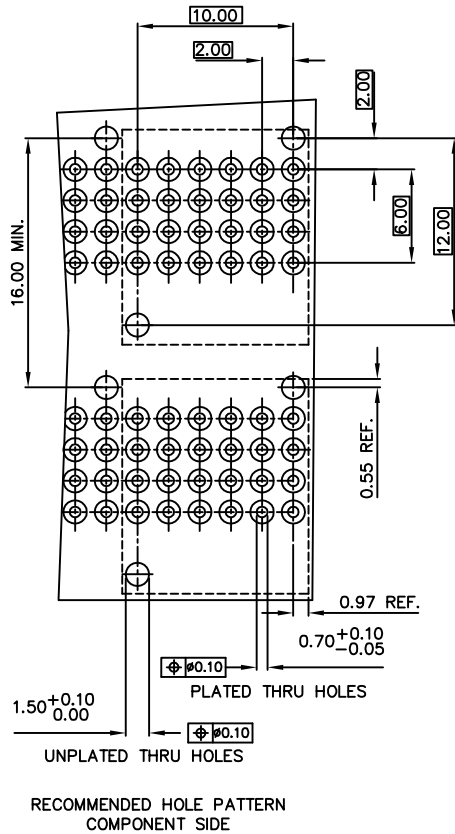
Printed: Nov 14, 2008

Tous droits strictement réservés. Reproduction ou communication à des tiers interdite sous quelque forme que ce soit sans autorisation écrite du propriétaire. Propriété de c FCI. Droits de reproduction FCI.



All rights strictly reserved. Reproduction or issue to third parties in any form whatever is not permitted without written authority from the proprietor. Property of FCI. Copyright FCI.

PRODUCT NUMBER	DIM "A" TAIL LGTH.	DIM "B" PCB THK.
93239-X11	2.65 REF.	1.6
93239-X12	3.45 REF.	2.4
93239-X13	4.25 REF.	3.2
93239-X11LF	2.65 REF.	1.6
93239-X12LF	3.45 REF.	2.4
93239-X13LF	4.25 REF.	3.2



NOTES:

- CONNECTOR MATERIALS:
HOUSING: LCP, 30% GLASS FILLED, UL 94-V0 COMPLIANT
TERMINAL: PHOSPHOR BRONZE ALLOY
- PLATING ON TAIL:
SOLDER-TO-BOARD TYPE
93239-XY IS 2-8um SnPb
93239-XYLF IS 2-8um Sn (LEAD FREE)
- PRODUCT SPECIFICATION:
GS-12-002
- APPLICATION SPECIFICATIONS:
BUS-20-059
GS-20-001
TA-941
- PRODUCT MARKING: (PART NUMBER & LOT CODE).
- INDICATED HOLES ARE UNPLATED.
- LOCATION PEG FEATURES MAY NOT BE AVAILABLE AS SHOWN FOR ASSYS W/ PRESS PEGS.
- TOP SURFACE OF PRESS BLOCK MAY EXTEND UP TO 0.4MM HIGHER THAN HOUSING. THIS MAY AFFECT THE TAIL LENGTH BEFORE APPLICATION TO A BOARD.
- DIMENSION APPLIES TO BOTH PRESS-FIT AND SOLDER TAIL TERMINATIONS.
- THESE PRODUCTS WHERE THE PART NUMBER ENDS IN "LF" MEET THE EUROPEAN UNION DIRECTIVES AND OTHER COUNTRY REGULATIONS AS DESCRIBED IN GS-22-008.

ALL PRODUCTS MANUFACTURED BEFORE APRIL 2006 WILL WITHSTAND EXPOSURE TO 240°C FOR 60 SECONDS IN A CONVECTION, INFAR-RED OR VAPOR PHASE REFLOW OVEN.

ALL PRODUCTS MANUFACTURED AFTER MARCH 2006 WILL WITHSTAND EXPOSURE TO 260°C FOR 60 SECONDS IN A CONVECTION, INFAR-RED OR VAPOR PHASE REFLOW OVEN.

- FOR LEAD FREE PART NUMBERS ADD "LF" SUFFIX. EXAMPLE: 93239-XYLF.

mat'l. code				tolerances unless otherwise specified			CUSTOMER COPY		FCI	
-									www.fciconnect.com	
ltr	ecn no	dr	date	linear	.X ±.3		projection	title VERT. PWR. RECEPT. ASS'Y 4 X 2		
H					.XX ±.10					
				angles	.XXX ±.050		MM	product family METRAL (tm) code size dwg no		
					0° ±2'					
				dr	J.R. VOLSTORF	12/5/05	scale 1:1	A 93239		
				engr	J.R. VOLSTORF	12/5/05				
				chr	J.R. VOLSTORF	12/5/05				
				appd	J.R. VOLSTORF	12/5/05				
sheet index	revision sheet							cage code 22526		